

# HD 12-A MK4

## ACTIVE TWO-WAY SPEAKER

### DESCRIPTION

RCF cares about your sound. The new D-Line MK4 speakers boosts the performance with a series of brand new transducers, improves the sound quality with the revolutionary FiRPHASE processing and renew the grille design to exalt the professional look. The vocals are natural, the sound is clear at long distances, the SPL power is stable at very high levels. The concept of the HD-Line derives from the touring industry, bringing in an elegant and compact cabinet all the experience of RCF professional sound with the maximum reliability and strength for the intensive use on the road.

Connect your microphone, your device or your mixer to the speaker and turn up the volume: real plug&play. Perfect as a main front of house in small PA systems, high powered floor monitoring and unobtrusive fixed installation.



### FEATURES

- 1400 watt 2-way peak power
- 130 dB max SPL
- Digital bi-amplification, SMPS
- DSP sound processing
- 90° x 60°, wide dispersion constant directivity horn
- 12" woofer, high power, 2.5" voice coil
- 1.0" HF driver, titanium dome, neodymium 1.5" voice coil
- FiRPHASE processing

## TECHNICAL SPECIFICATIONS

<b>Acoustical specifications</b>	Frequency Response:	45 Hz ÷ 20000 Hz
	Max SPL @ 1m:	130 dB
	Horizontal coverage angle:	90°
	Vertical coverage angle:	60°
<b>Transducers</b>	Compression Driver:	1.0", 1.5" v.c
	Woofer:	12", 2.5" v.c
<b>Input/Output section</b>	Input signal:	bal/unbal
	Input connectors:	XRL, Jack
	Output connectors:	XLR
	Input sensitivity:	-2 dBu/+4 dBu
	Mic. Input Sensitivity:	-32 dBu
<b>Processor section</b>	Crossover Frequencies:	1800 Hz
	Protections:	Thermal, RMS
	Limiter:	Soft Limiter
	Controls:	Volume, Boost, Mic/Line
<b>Power section</b>	Total Power:	1400 W Peak, 700 W RMS
	High frequencies:	400 W Peak, 200 W RMS
	Low frequencies:	1000 W Peak, 500 W RMS
	Cooling:	Convection
	Connections:	VDE
<b>Standard compliance</b>	CE marking:	Yes
<b>Physical specifications</b>	Cabinet/Case Material:	PP Composite
	Hardware:	1 x M10 top, 1 x M10 bottom, 3 x M6 bottom
	Handles:	1 Top, 2 Side
	Pole mount/Cap:	Yes
	Grille:	Steel
	Color:	Black
<b>Size</b>	Height:	647 mm / 25.47 inches
	Width:	380 mm / 14.96 inches
	Depth:	380 mm / 14.96 inches
	Weight:	18.3 kg / 40.34 lbs
<b>Shipping informations</b>	Package Height:	760 mm / 29.92 inches
	Package Width:	500 mm / 19.69 inches
	Package Depth:	500 mm / 19.69 inches
	Package Weight:	21.4 kg / 47.18 lbs



**PART NUMBER**

• **13040027**

HD 12-A MK4

115V

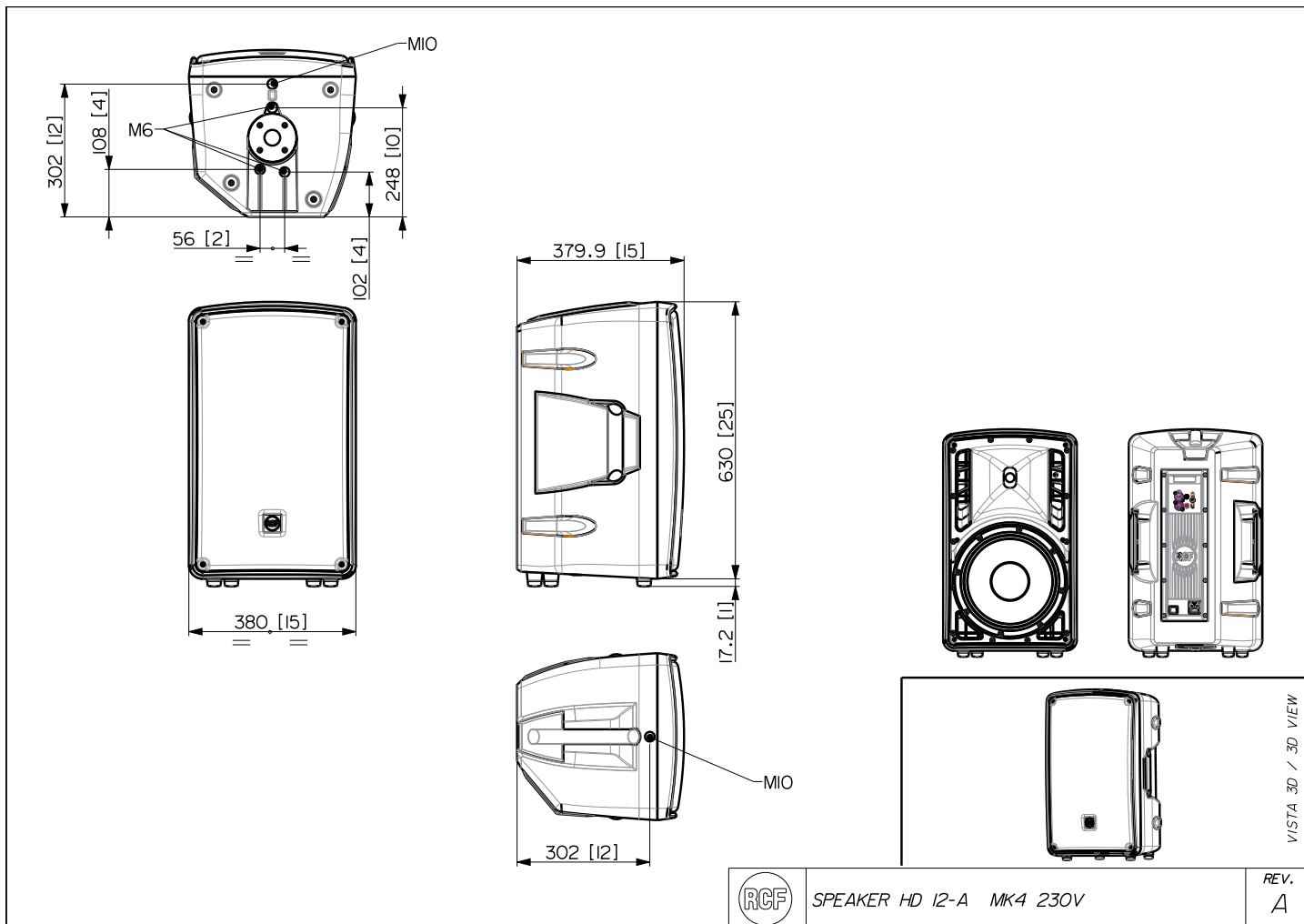
EAN 8024530014117

• **13040026**

HD 12-A MK4

220-240V

EAN 8024530014100



SPEAKER HD 12-A MK4 230V

REV. A

