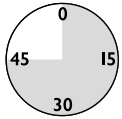


BLOK

STAX Stands

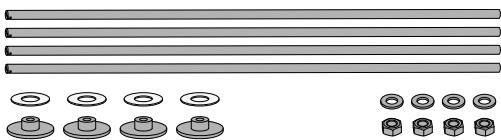
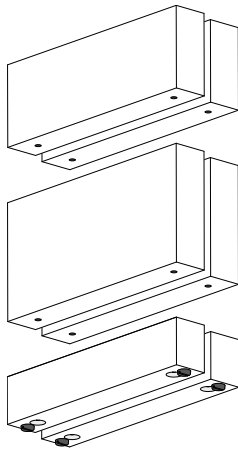


↓ **BUILD UNIT UPSIDE DOWN** ↓

CONTENTS:

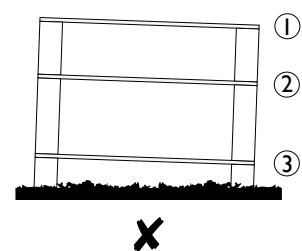
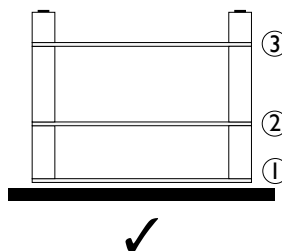
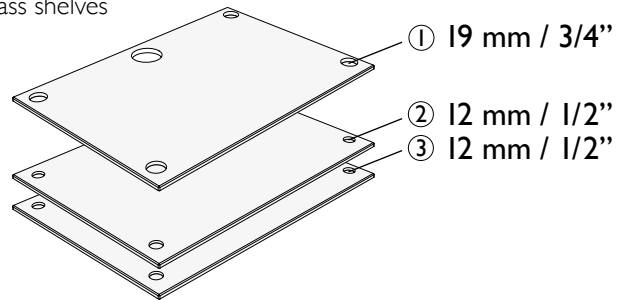
Box 1 of 2:

Wood Blocks
Connecting Rods
Accessories
Manual



Box 2 of 2:

Glass shelves

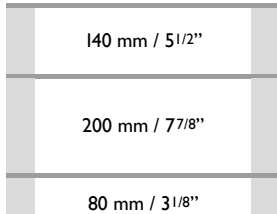


Assembly Instructions

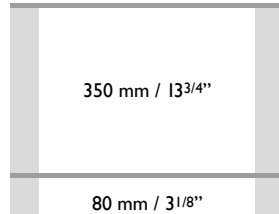
STAX Stands Models

BLOK

STAX 450

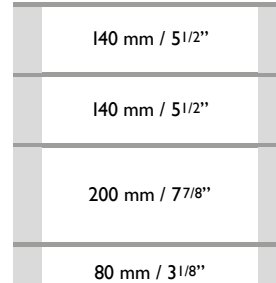


STAX 450X

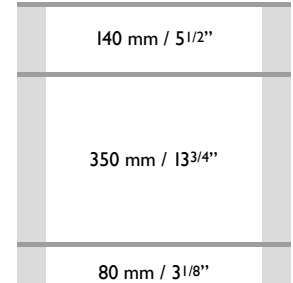


Height : 450 mm / 17 11/16"
Width : 580 mm / 22 13/16"

STAX 600

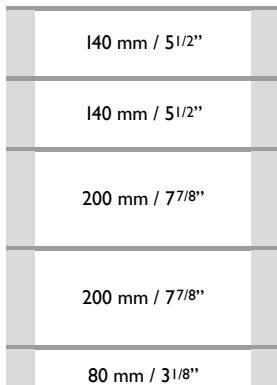


STAX 600X

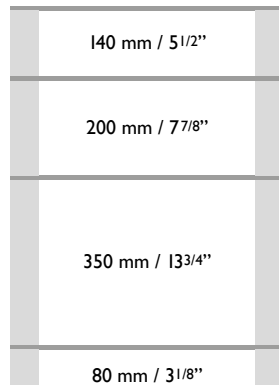


Height : 600 mm / 23 5/8"
Width : 580 mm / 22 13/16"

STAX 810

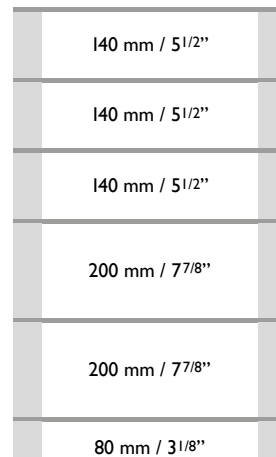


STAX 810X

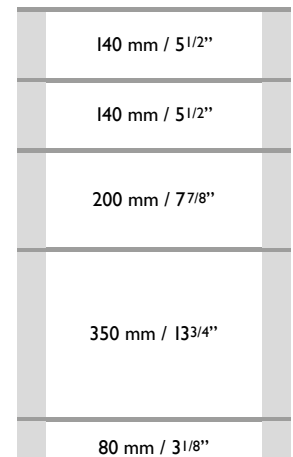


Height : 810 mm / 31 7/8"
Width : 580 mm / 22 13/16"

STAX 960



STAX 960X

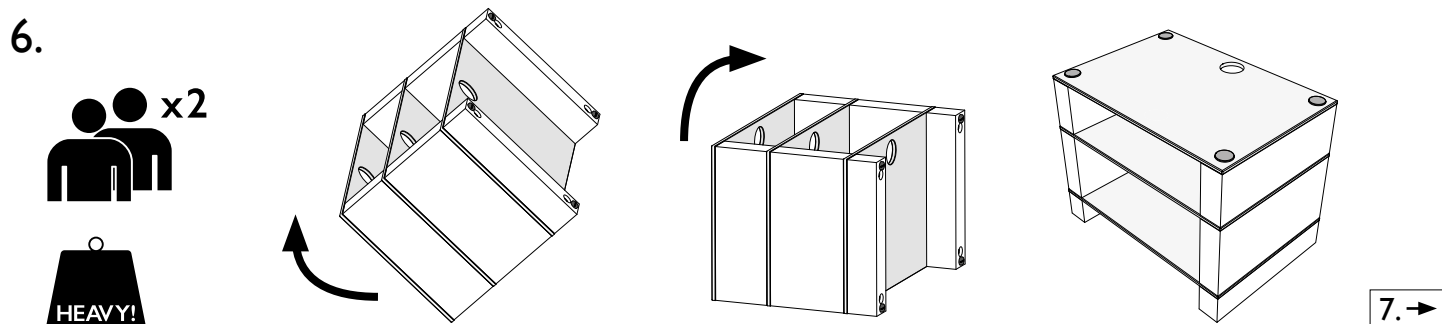
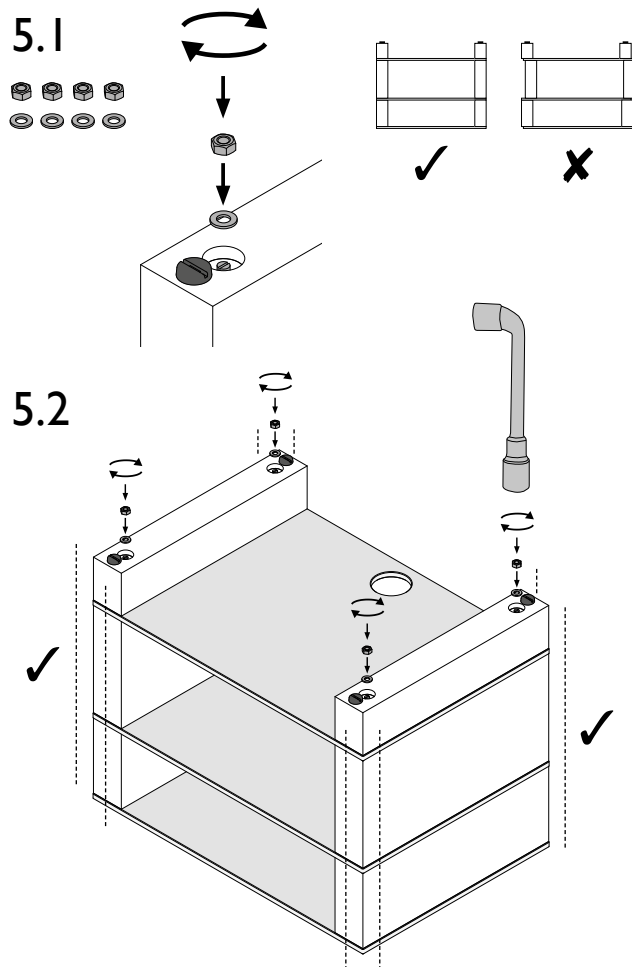
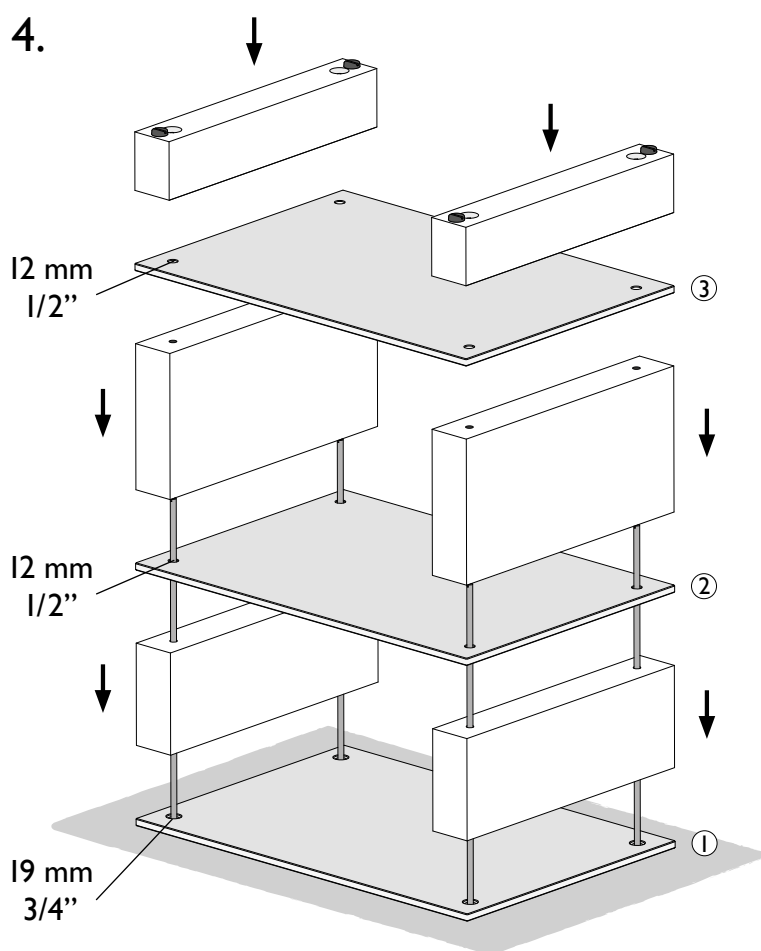
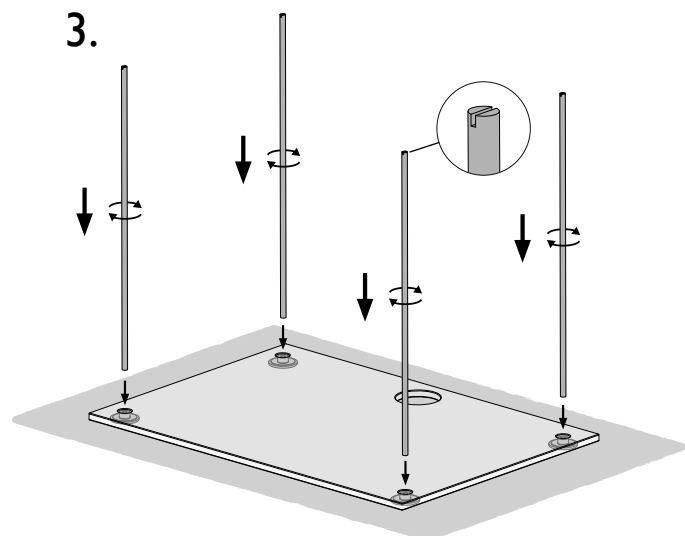
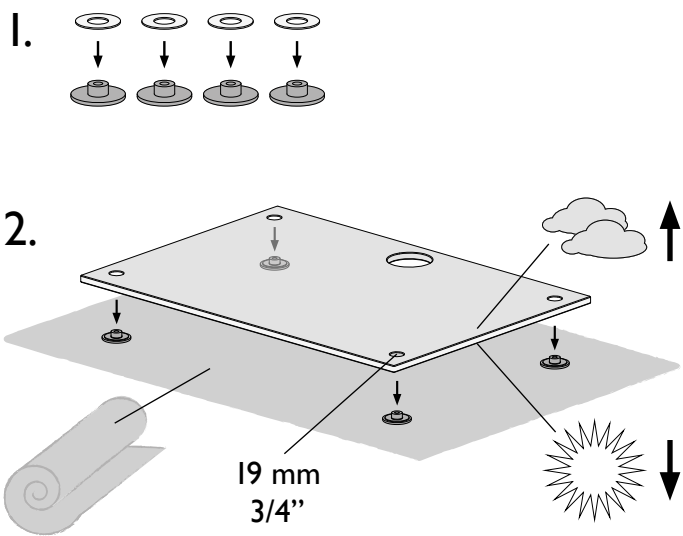


Height : 960 mm / 37 13/16"
Width : 580 mm / 22 13/16"

STAX Stands



Depth : 400 mm / 15 3/4"



7.

